

ASSEMBLY INTRUCTION

ITEM # VE6518 VINTAGE ESTATES DRESSER

SIZE: 65 1/2"W X 18"D X 40"H

ITEM # VE4236 VINTAGE ESTATES MIRROR

SIZE: 1 3/4"W X 42"D X 37"H



Thanks for your purchasing this quality product

ASSEMBLY TIPS:

1. Remove hardware from box and sort by side
2. Please check to see that all hardware and parts are present prior start of assembly
3. Please follow attached instructions in the same sequence as numbered to assure fast & easy assembly



Warning!

1. Don't attempt to repair or modify parts that are broken or defective. Please contact the store immediately.
2. This product is for home use only and not intended for commercial establishment.

HARDWARE LIST

No.	Description	Qty
A	Allen Key M4 (Short)	1 Pc
B	Spring Washer 5/16"	8 Pcs
C	Flat Washer 5/16"	8 Pcs
D	Jcbc Screw 1/4" x 2"	8 Pcs
E	Anti Tip Hardware	1 Set

PART LIST

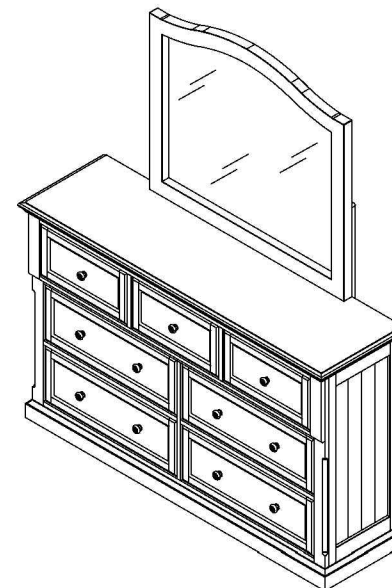
No.	Description	Qty
1	SUPPORT BARKET	2

CARE & MAINTENANCE:

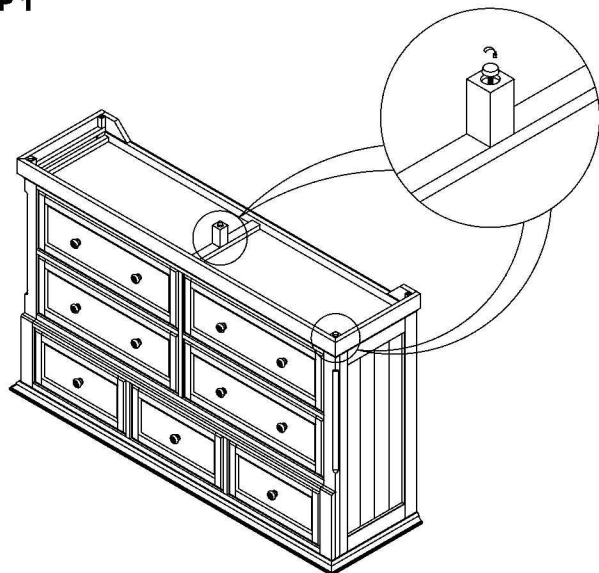
- *The touch of the soft cloth is all the maintenance your wood pieces will ever need.
- *Never use harsh chemicals or abrasive cleaner as they could marks or destroy finish.

IMPORTANT NOTE:

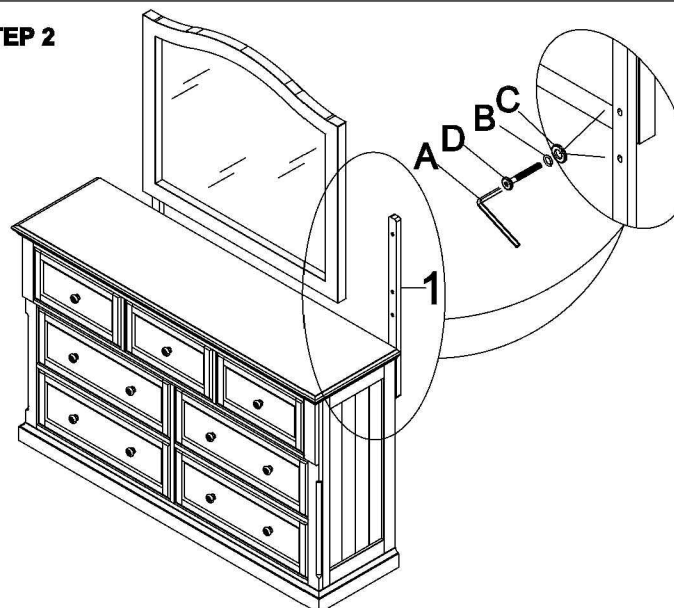
- * Place all wooden parts on a clean and smooth surface such as a rug or carpet to avoid the parts from being scratched.
- * Before you begin. Kindly follow the assembly instructions step by step.



STEP 1



STEP 2



STEP 3

